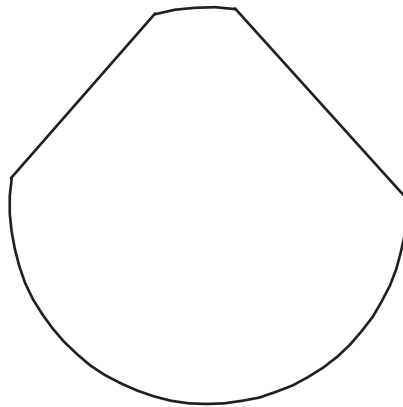


AutoCAD LT Problem 2-1

Chapter 2: Sketching and Developing Ideas

Shim

Use the **CIRCLE** command to create a circle approximately 4" in diameter. Then use the **LINE** command to create two lines so that each line intersects the circle twice. Use the **TRIM** command to remove the unneeded portions of the circle and lines to create the shim shown below.

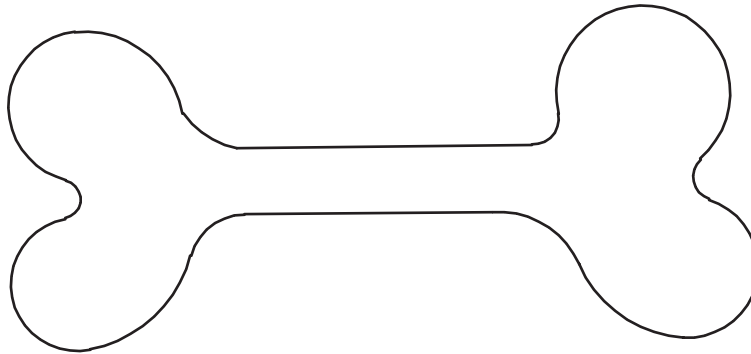


AutoCAD LT Problem 2-2

Chapter 2: Sketching and Developing Ideas

Dog Treat Sketch

Use the **LINE** and **ARC** commands to create a drawing of a bone-shaped dog treat similar to the one shown below. Then use the **PLINE** command to create the drawing a second time. Which method is easier? Why?

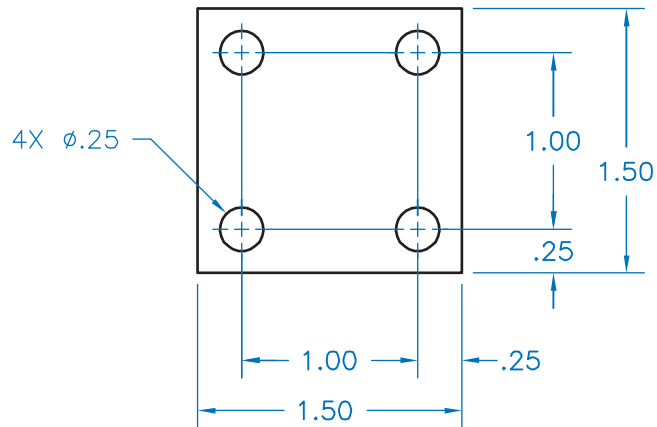


AutoCAD LT Problem 2-3

Chapter 2: Sketching and Developing Ideas

Plate

Create a drawing of the plate shown below using the **LINE** and **CIRCLE** commands. Draw the plate using the dimensions shown, but do not add dimensions to your drawing.



AutoCAD LT Problem 2-4

Chapter 2: Sketching and Developing Ideas

Slot

Create a drawing of the slot shown below using the **LINE**, **ARC**, and/or **CIRCLE** commands. Create the drawing according to the dimensions shown, but do not add the dimensions to your drawing.

