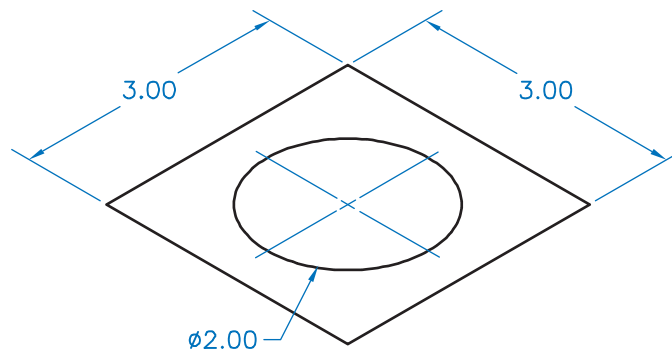


## AutoCAD LT Problem 4-1

### Chapter 4: Pictorial Representations

#### Isometric Drawing of Paper

Create the isometric drawing of a 3" × 3" sheet of paper. Use the ELLIPSE command to place a Ø2.00" circle on the paper, as shown below. Create the drawing according to the dimensions shown, but do not add the dimensions to your drawing.

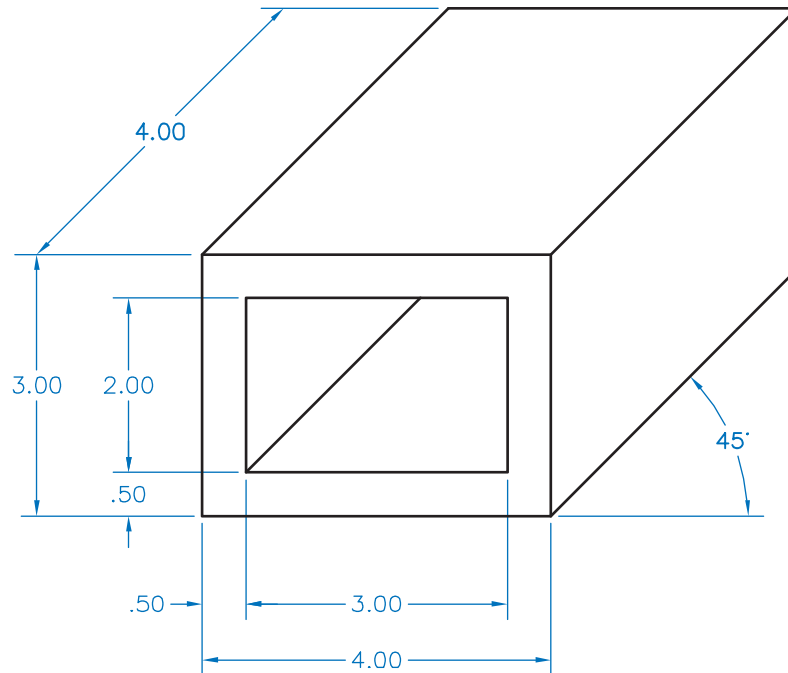


## AutoCAD LT Problem 4-2

### Chapter 4: Pictorial Representations

#### Hollow Box: Oblique Projection

Create the oblique projection of a hollow box as shown below. Use the dimensions shown to construct the drawing, but do not add dimensions to your drawing.



## AutoCAD LT Problem 4-3

### Chapter 4: Pictorial Representations

#### Box: One-Point Perspective Drawing

Create a one-point perspective drawing of a box as shown below. Make the box 6'-0" tall, 3'-0" wide, and 4'-0" deep. *Note:* The vanishing point and projection lines are shown here for reference. Remove them from your final drawing.

