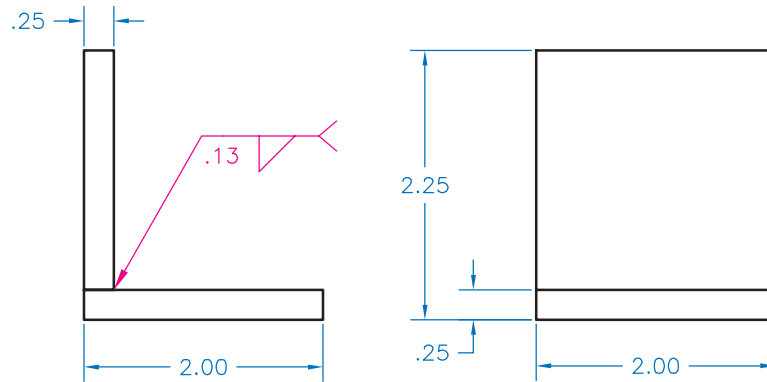


# AutoCAD LT Problem 10-1

## Chapter 10: Weld Representations

### Simple Weld Representation

Create the multiview projection shown below. Use DesignCenter to insert the fillet weld symbol.

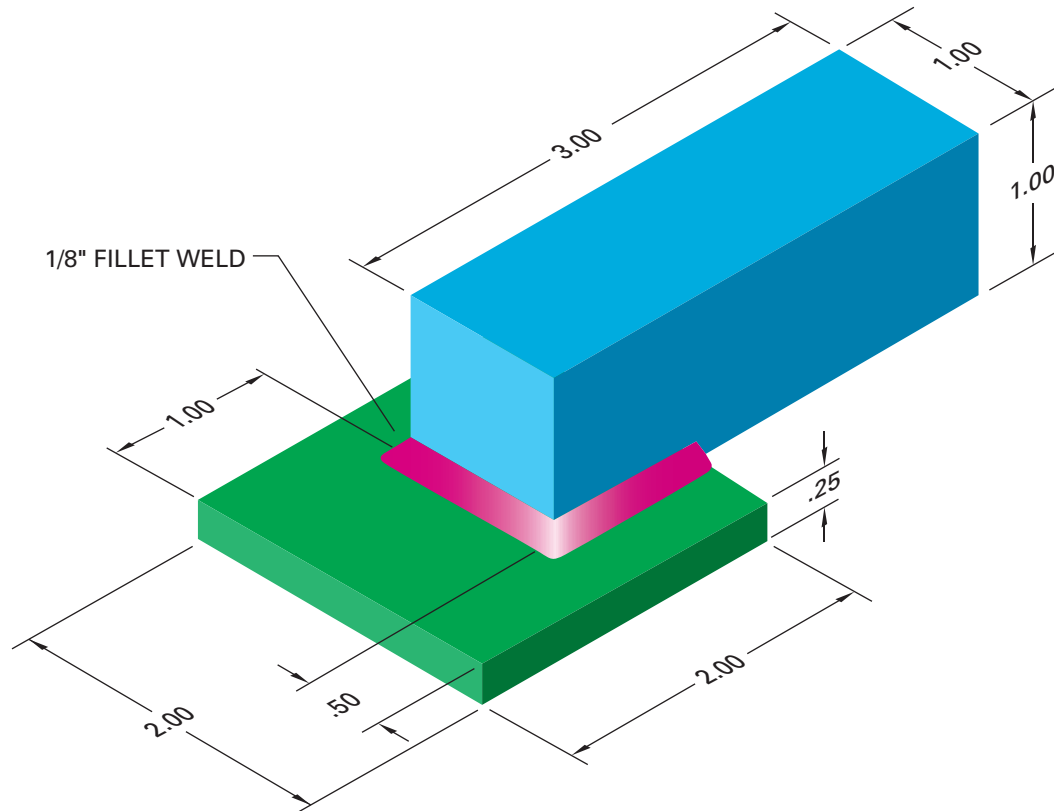


## AutoCAD LT Problem 10-2

### Chapter 10: Weld Representations

#### Multiview Projection of Welded Assembly

Create a multiview projection of the assembly shown below. Use the correct weld symbol for the weld.



# AutoCAD LT Problem 10-3

## Chapter 10: Weld Representations

### Pole Holder

Create the two-view detail drawing of the pole holder shown below. Place the dimensions and weld symbols on separate layers.

