

## 8

## Family Letter

**Dear Parent or Guardian:**

We encounter percents in so many different aspects of our daily lives. We use percents when we buy something on sale, when we calculate taxes or commissions, and when we interpret statistical information. Because we all purchase different goods and services, knowing how to use percents will help us plan our budgets and make important financial decisions.

In **Chapter 8, Applying Percents**, your child will learn about percents. Your child will learn how to find the percent of a number, to use the percent proportion, to estimate percents, and to predict the actions of a larger group by using a sample. Your child will also learn how to solve problems involving sales tax, discount, and simple interest. In the study of this chapter, your child will complete a variety of daily classroom assignments and activities and possibly produce a chapter project.

By signing this letter and returning it with your child, you agree to encourage your child by getting involved. Enclosed is an activity you can do with your child that practices how the math we will be learning in Chapter 8 might be tested. You may also wish to log on to **www.msmath2.com** for self-check quizzes and other study help. If you have any questions or comments, feel free to contact me at school.

Sincerely,

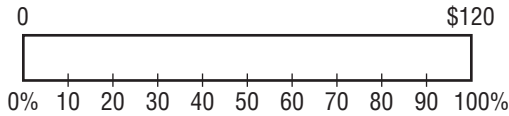
Signature of Parent or Guardian \_\_\_\_\_ Date \_\_\_\_\_

**8**

**Family Activity**  
**State Test Practice**

Fold the page along the dashed line. Work each problem on another piece of paper. Then unfold the page to check your work.

1. Benny wants to find 25% of \$120. Use the graphic below to help him find the solution.



What is 25% of \$120?

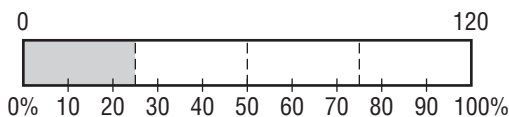
- A \$40
- B \$30
- C \$25
- D \$10

*Fold here.*

**Solution**

1. *Hint: This problem can be approached several different ways, including shading the area that you are looking for, using fractions, or using percent proportions.*

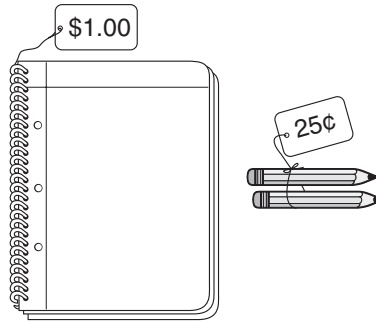
25% can also be written as  $\frac{25}{100}$ , which reduces to  $\frac{1}{4}$ , as shown below.



25% of 120 is the same as  $\frac{1}{4}$  of 120, which is  $120 \div 4$ , or 30.

The answer is **B**.

2. The school supplies shown below are currently on sale for 15% off the listed prices.



How much will 3 notebooks and 16 pencils cost at their sale prices?

- A \$2.55
- B \$2.95
- C \$4.25
- D \$5.95

**Solution**

2. *Hint: 15% off the regular price is 85% of the regular price.*

The total cost at regular price would be 3 notebooks  $\times$  \$1.00 + 8 pairs of pencils  $\times$  \$0.25, or \$5.00. In order to find the sale price, multiply  $85\% \times 5$ .

$$0.85 \times 5 = \$4.25$$

The answer is **C**.